

Medical-i5/i7 18/21

18"/21" Medical PC with Intel® Core™ i5/i7 and Fully-Sealed IP65 Enclosure



Features

- Modular high-performance Medical computer with Intel® i5/i7 technology and fully-sealed enclosure
- Disinfectable and washable, fanless, sterile, fail-safe and maintenance free
- Durable and reliable even under critical environmental conditions
- Fast data input via functionkeys and projected capacitive touchscreen (PCT) with multi-touch function
- Various inputs, reader devices and scanners are easily connectable
- RFID barcode scanner, Bluetooth and Wireless-LAN (optional)
- Passive cooling concept without ventilation slots or fans
- VESA 100 mounting

Specifications

System

CPU	Intel® Core™ i5 @2.4 GHz or Intel® Core™ i7 @ 2.66 GHz
Chipset	Intel® QM57
Cache	4096 kB
Memory	Up to 8 GB DDR
Graphics Controller	Intel® HD Graphics
Video Memory	Up to 1024 MB (DVMT)
Storage	24 x 7 HDD (SATA) or industrial grade CF card
Display Size	21.5" or 18.5" (16:9, widescreen)
Display Resolution	1920 x 1080 (21.5") or 1366 x 768 (18.5")
Weight	21.5": 12.4 kg;18": 11.1 kg

Interfaces

Touch	Projected capacitive touch (PCT) with extended transparency and multi-touch function
USB	4 x USB 2.0, 1x service USB on side (covered, IP65)
Power supply	internal, fanless medical power-supply
Ethernet	2x 10/100/1000BASE-T
RS-232	2x serial (optional galv. isolated), 1x serial
Video Interface	1x VGA , 2x HDMI
PCIe Expansion	1x PCIe x16 or PCIe x1

Operating Systems

Windows	Windows 7, Windows XP, XP embedded
Linux	Embedded Linux (on request, customized)

Environment

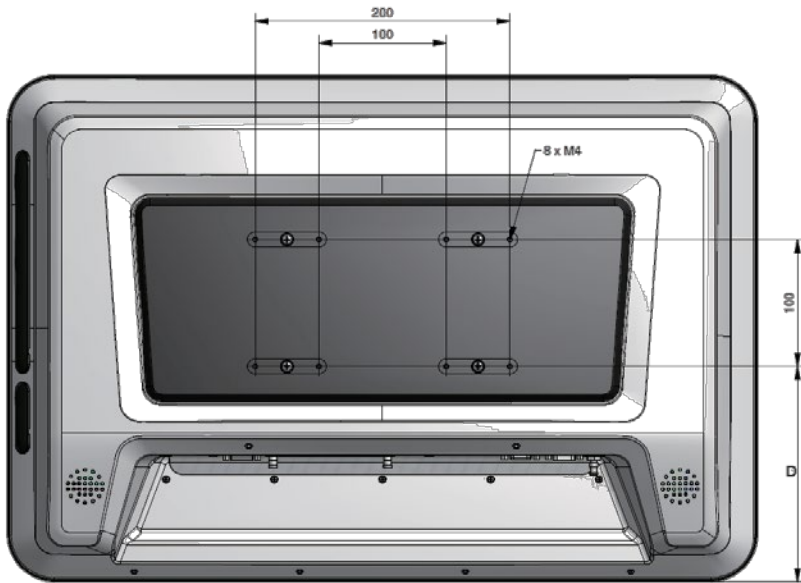
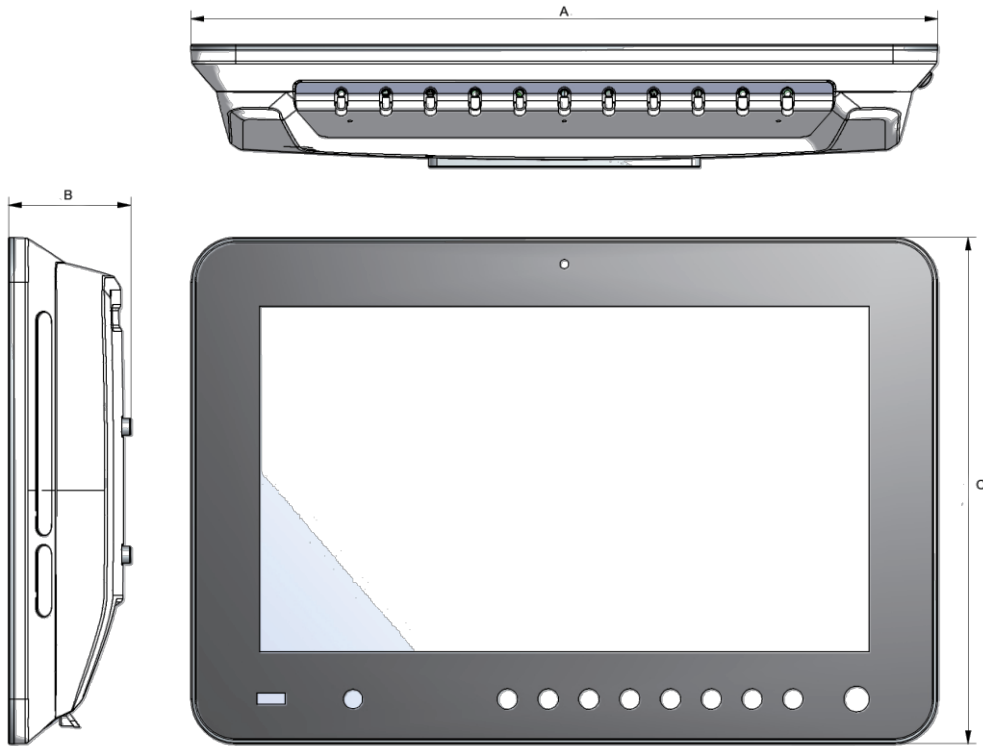
Operating Temperature	0°C to +40°C
Storage Temperature	-10°C to +60°C
Humidity (Operating)	10% to 90% relative humidity (no condensing)
Humidity (Storage)	5% to 95% relative humidity (no condensing)

Certificates

EN 60601-1 (2005) + Corr.1 (2006) + Corr.2 (2007)
EN 60601-1-2 (2007)
EN 55022 (2006) + A1 (2007)
EN 61000-3-2 (2000)
EN 61000-3-3 (1995) +A1 (2001)
EN 55024 (1998) +A1 (2001) +A2 (2003)
RoHS compliant

Dimensions

Units: mm



	A	B	C	D
18.5"	528.8	91.9	366.9	169.45
21.5"	588.8	89.5	398.9	169.45

All dimensions in mm