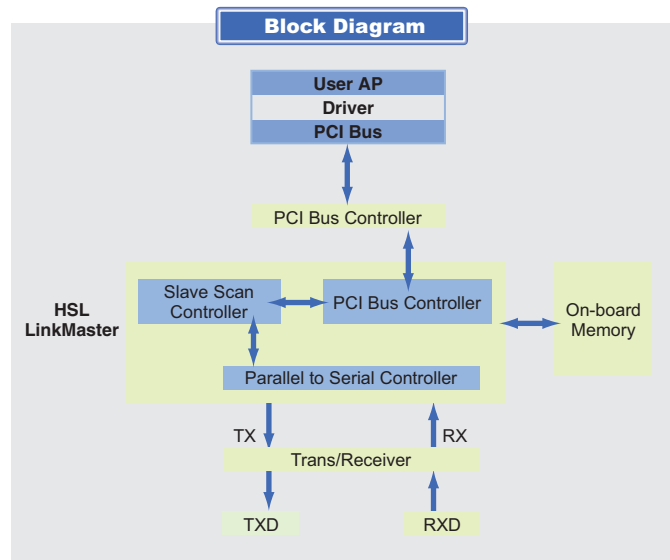


PCI-7853/PCI-7854

High Speed Link Master Controller Interface Cards •

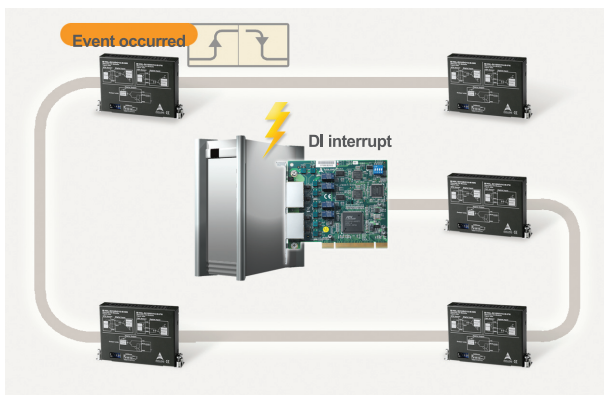


Features

- Single/Dual independent network operation
- Programmable timer interrupt
- RJ-45 phone jack for easy installation
- Software selectable transmission speed and mode
- Supports HSL-HUB3 and HSL-Repeater
- DI data transmission interrupt

DI Interrupt Function

- HSL system DI interrupt
- Any channel of every ID can be set interrupt

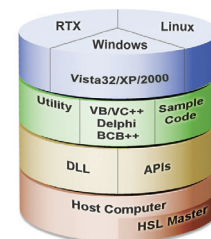


Ordering Information

PCI-7853	Single HSL master controller card with two separate connectors
PCI-7854	Dual HSL master controller interface card with four separate connectors

Software Support

- Windows® Vista32/XP/2000 Library
- Linux Driver for Redhat kernel 2.4.x
- HSL LinkMaster Utility
- HSL OPC Server



Specifications

- PCI local bus specification Rev. 2.1 compliance
- Master controller ASIC
- Built-in 32KB SRAM for PCI-7853; built-in 32KB x 2 for PCI-7854 and PMC-7852
- Full/Half duplex, RS-485 with transformer isolation
- Transmission speed: 3/6/12 Mbps
- PCB dimensions: 122 (L) x 107 (W) mm
- Operating temperature: 0 to +70°C
- Storage temperature: -20°C to +80°C
- Power consumption: +5V @500mA typical