

InRouter 6x1 Series

Smart DB9/Eth. to HSUPA/UMTS VPN Gateway



- **COMPACT DESIGN**, easy to install
 - Metal housing
 - Dimensions (L×W×H):100mm×100mm×23mm
- **LOW POWER CONSUMPTION**: Below 3 W
- **HIGH RELIABILITY**: hardware/link self-recovery
- **VPN**: IPSec/PPTP/L2TP/GRE
- **BEHAVIOR MANAGEMENT** by firewall IP service filtering
- **CENTRALIZED MANAGEMENT PLATFORM**: InHand Device Networks Cloud



Overview

InRouter 6x1 series are compact designed cellular gateways which are used to transmit serial/Ethernet data to customers' data center through UMTS/GSM mobile networks. With hardware/software detect and self-recovery design, InRouter 6x1 series can perfectly ensure reliability of customers' data transmission.

InRouter 6x1 series also support several VPN technologies to ensure security, including standard IPSec/PPTP/L2TP/GRE. Besides, the gateways provide convenient remote management via CLI and web page, which significantly reduce maintenance cost. Moreover, with customization services, InRouter 6x1 series can benefit customers by high scalability, on demand service and efficient networking solutions for unattended field applications.

Multiple software functions such as IP filtering are also helpful for customers to manage the internet behavior. The smart gateways can be very professional in high price/performance ratio networking solution for IP devices, for example, outlets, vending machines, ATM/POS machines, branch shops, etc.

Specification

Interfaces

Ethernet LAN Port:
 Number of Ports: 1 RJ-45, 10/100Mbps, auto-sensing
 Magnetic Isolation Protection: 1.5KV built-in

Cellular WAN Port:
 Universal UMTS/HSDPA 850/900/1800/1900/2100 MHz
 GSM/GPRS: 850/900/1800/1900 MHz

Serial Port:
 Number of Ports: 1 RS-232 (DB9)
 Isolation Protection: 1.5KV ESD protection
 Serial BUS Protocols:
 Modbus TCP, Transparent TCP, Virtual COM

Power Requirements

Power Input: 5 ~26V DC with Industrial Terminal
 Power Consumption:
 - Max:240mA@12V DC (2.88W); Idle:150mA@12V DC (1.8W)
 Operating:170mA~220mA@12V DC (2.04W~2.64W)

Environmental

Housing: Metal, IP30 Protection
 Temperature: Operating: -10~70°C (14~158°F)
 Storage: -40~85°C (-40~185°F)
 Humidity: 5% ~ 95%, non-condensing

Safety Certificate

Anti-shock: IEC60068-2-27
 Anti-drop: IEC60068-2-23
 Anti-vibration: IEC60068-2-6

Configuration Method: Web/Telnet

Network Reliability Assurance

Built-in hardware watchdog, self-recovery
 PPP link detection disaster self-recovery
 Professional upgrades mechanism, assure upgrade safety

VPN: IPSec/PPTP/L2TP/GRE, support CA certificate

Firewall

State Packet Inspection (SPI), multicast filtering, PING packet filtering, DoS attack preventing

TCP/IP Protocols

ICMP, DHCP, Telnet, DNS, VRRP, HTTP, HTTPS, DDNS

Device Networks Cloud Service

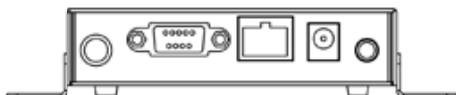
Remote batch management (control & configure)
Online status/traffic report

Warranty

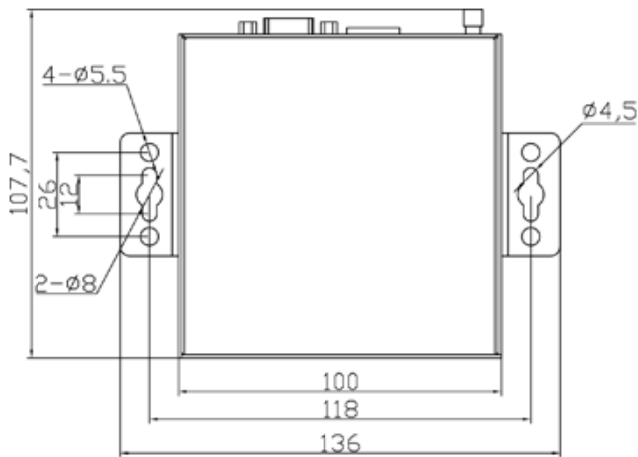
Warranty Period: 1 year

Dimensions (Unit: mm)

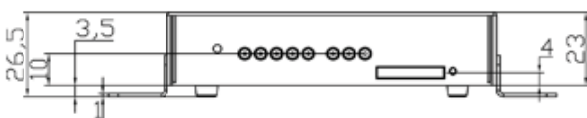
Standard Model (L×W×H=100×100×23)



Back View

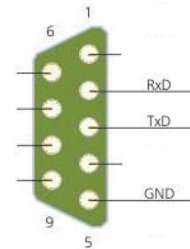


Top View

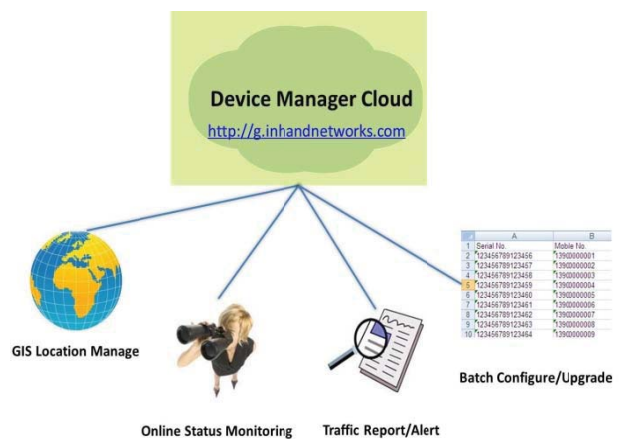


Front View

DB9 RS232 Port



Device Manager Cloud



GIS Location Manage – Easy access to devices
Online Status Monitoring – Remote diagnose
Traffic Report/Alert – Save traffic cost
Batch Configure/Upgrade – Efficient manage

Order Information

Optional Models:

UMTS/HSUPA/WCDMA/GSM Router:

InRouter 601WH01: no VPN

InRouter 611WH01: support VPN (IPSec/PPTP/L2TP/GRE)