

OM Series

Preliminary

10.1"/15.6"/18.5"/21.5"/23.8"/27"/32"/43"
Open-Frame Industrial Touch Monitor



Features

- 10.1"/15.6"/18.5"/21.5"/23.8"/27"/32"/42" 16:9 LCD panel with LED backlight with up to 50,000-hour service life
- 10-point PCAP touchscreen
- Anti-fingerprint surface treatment for ease of cleaning and enhanced readability
- Wide viewing angles supported for both portrait and landscape modes
- IP rating for water and dust protection
- Ease of installation with panel and optional VESA mount

Ordering Information

- OM-101
10.1" Open-frame industrial touch monitor
- OM-156
15.6" Open-frame industrial touch monitor
- OM-185
18.5" Open-frame industrial touch monitor
- OM-215
21.5" Open-frame industrial touch monitor
- OM-238
23.8" Open-frame industrial touch monitor
- OM-270
27.0" Open-frame industrial touch monitor
- OM-320
32.0" Open-frame industrial touch monitor
- OM-430
43.0" Open-frame industrial touch monitor

Optional Accessories

- Adapter
12V 60W power adapter (OM-101/156/185/215/238/270)
24V 120W power adapter (OM-320/430)
- Mounting kit (panel mount)

Specifications

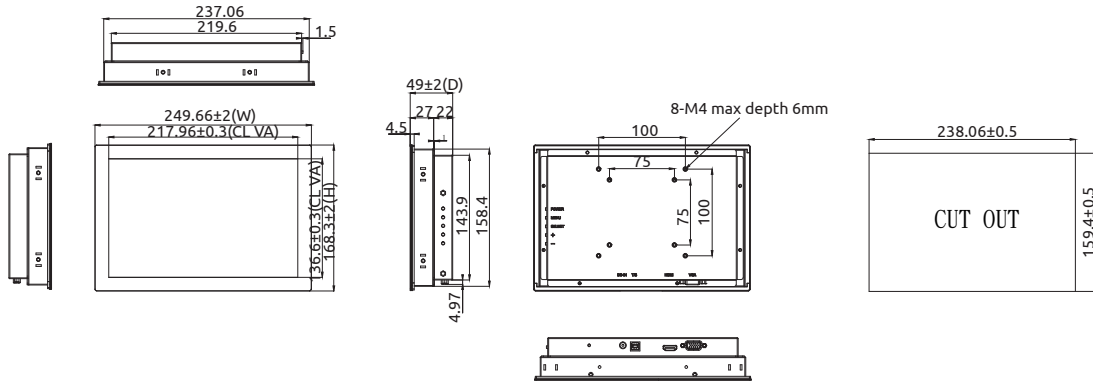
Model Name	OM-101	OM-156	OM-185	OM-215	OM-238	OM-270
Display						
Size	10.1"	15.6"	18.5"	21.5"	23.8"	27"
Resolution	1280 x 800	1920 x 1080				
Aspect Ratio	16:9					
Color	16.7M					
Brightness (w/ touch)	400 nits				200 nits	240 nits
Backlight Life (Hrs)	50,000			30,000		40,000
Viewing Angle (U/D/R/L)	89/89/89/89				85/85/85/85	
Contrast Ratio	800:1	1000:1			3000:1	
Touchscreen	10-point, PCAP, Anti-fingerprint coating					
Bonding	Air bonding					
I/O						
USB Port	USB Type-B (for touch)					
Video	HDMI x1, VGA x1					
Audio	w/o Audio					
Environmental						
Operating Temperature	-20°C to 70°C	0°C to 70°C	0°C to 60°C	0°C to 50°C		
Storage Temperature	-20°C to 70°C			-20°C to 60°C		
Humidity	10% to 80% @ 40°C (non-condensing)					
Surface Hardness	7H					
Vibration	Operating: 1G random 5 to 500Hz					
Shock	Operating: 20G acceleration part to part, 11ms					
IP Rating	Front IP65					
Power Input	DC-12V 5A Max.					
Power Consumption	5.7W	13.9W	20W	25.4W	17.5W	21.5W
Mechanical						
Net Weight/ Gross Weight	1.6 kgs / 2.1 kgs	2.9kg / 3.6kg	4.2kg/5.2kg	4.8kg / 6.0kg	6.2kg / 7.2kg	7.5kg / 8.0kg
Packing Dimensions (H x W x D)	330 x 320 x 180 mm	490 x 380 x 190 mm	430 x 610 x 160	640 x 480 x 160 mm	695 x 488 x 175 mm	775 x 538 x 180 mm
Mounting	VESA Mount, MIS-D 75 x 75 mm, 100 x 100 mm, Panel mount					

Specifications

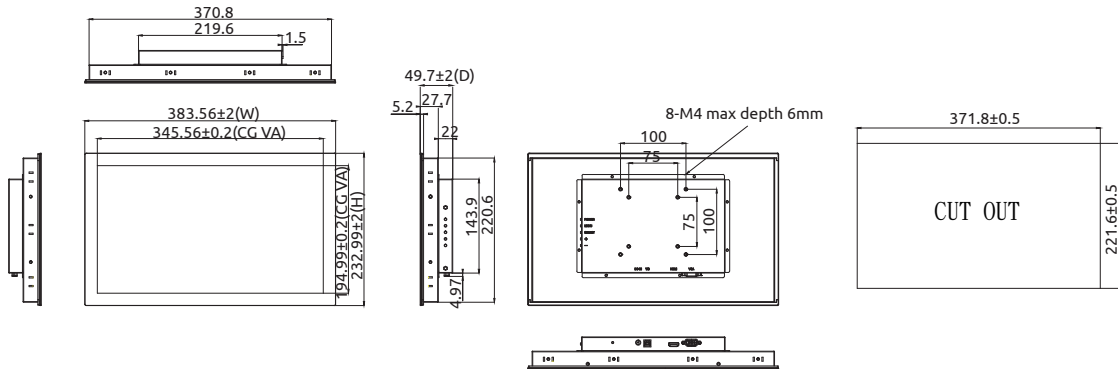
Model Name	OM-320	OM-430
Display		
Size	32"	43"
Resolution	1920 x 1080	
Aspect Ratio	16:9	
Color	16.7M	
Brightness (w/ touch)	400 nits	
Backlight Life (Hrs)	50,000	
Viewing Angle (U/D/R/L)	89/89/89/89	
Contrast Ratio	4000:1	
Touchscreen	10-point, PCAP, Anti-fingerprint coating	
Bonding	Air bonding	
I/O		
USB Port	USB type B (for touch)	
Video	HDMI x1, VGA x1, DVI x1, DP 1.2 x1	
Audio	w/o Audio	
Environmental		
Operating Temperature	0°C to 40°C	
Storage Temperature	-20°C to 60°C	
Humidity	10% to 90% (non-condensing)	
Surface Hardness	≥6H	
Vibration	Operating: 1.5G random 10 to 200Hz	
Shock	NA	
IP Rating	Front IP65	
Power Input	DC-24V 5A Max.	
Power Consumption	38.4W	50.4W
Mechanical		
Net Weight/ Gross Weight	14.2kg	23.5kg
Packing Dimensions (H x W x D)	630 x 920 x 160 mm	800 x 1200 x 220 mm
Mounting	VESA Mount 200 x 200 mm (M6), M4 Rear mount x 12	200 x 200 mm (M6) M4 Rear mount x 8

Dimensions

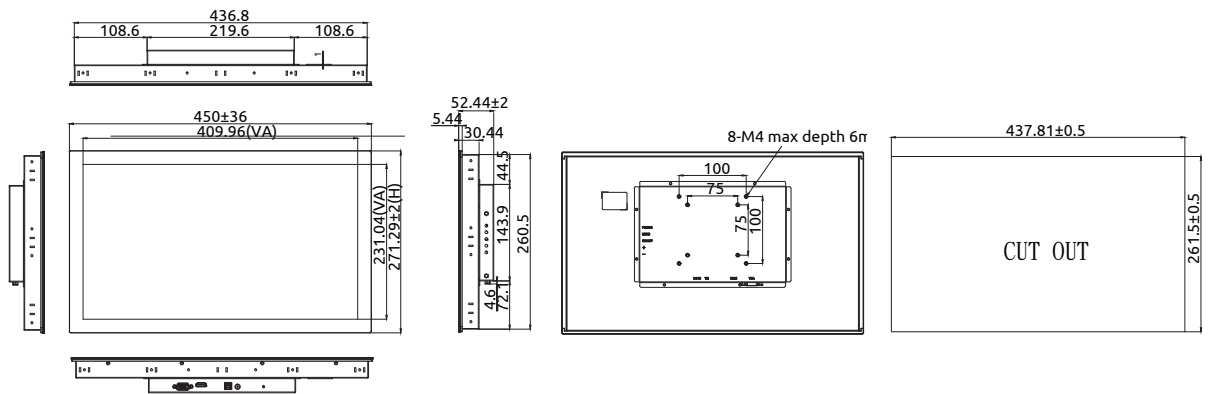
OM-101



OM-156

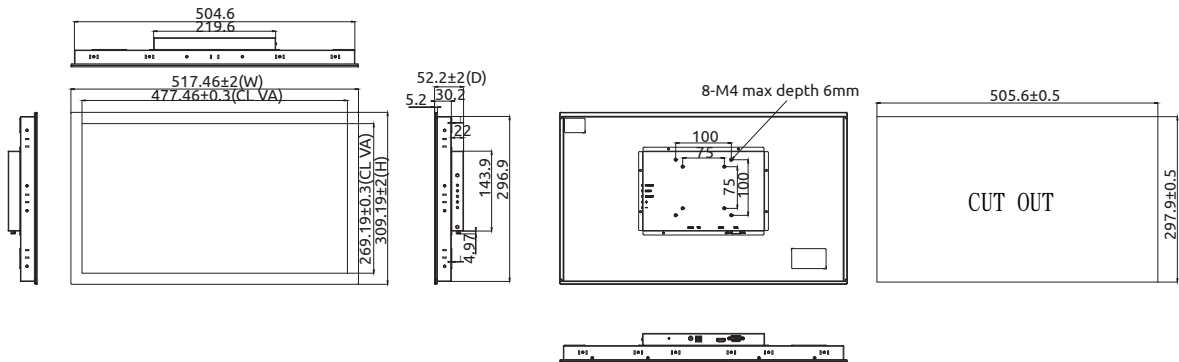


OM-185

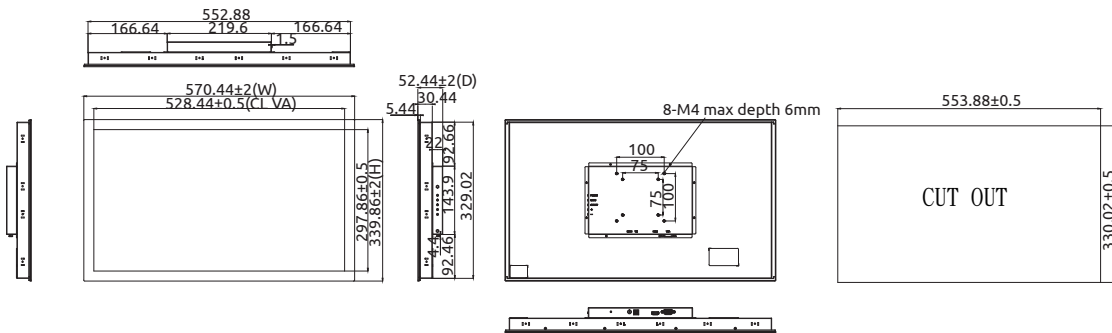


Dimensions

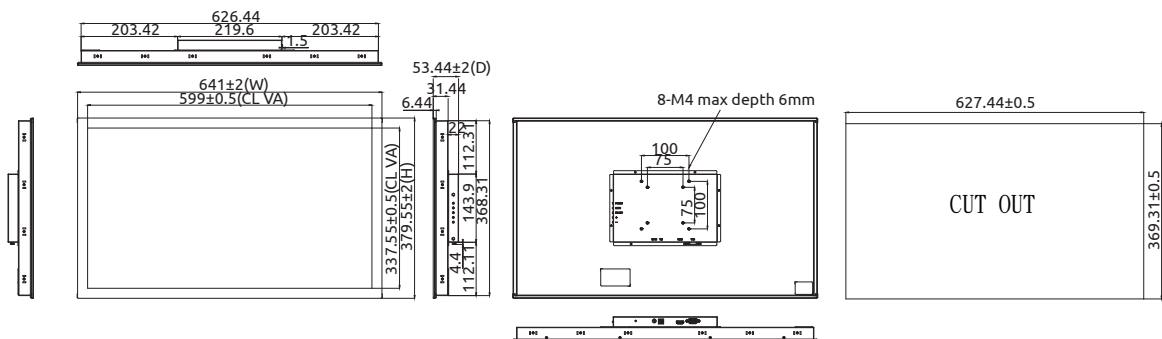
OM-215



OM-238

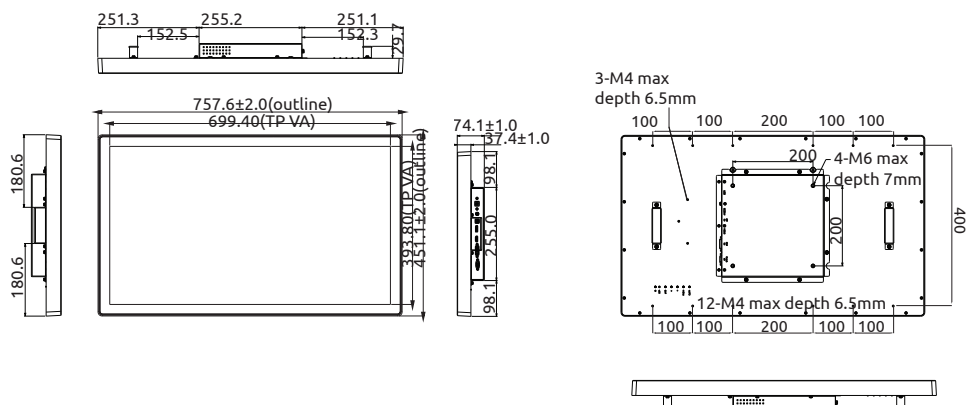


OM-270



Dimensions

OM-320



OM-430

