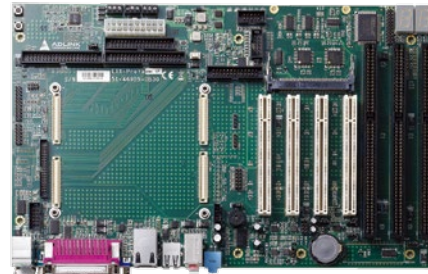


ETX-Proto

ETX[®] Reference Carrier Board in ATX Form Factor

Features

- Four PCI slots, three ISA slots, one Mini PCI slot
- POST code diagnostics
- Secondary Multi I/O
- Disk-On-Chip and CF card support
- Audio amplifier



Specifications

• Core System

Core Module Interface

ETX[®] ver 2.7 (3.0)

Board Form Factor

304.8 mm x 190 mm (ATX)

Expansion Busses

Four 32-bit PCI slots
Three 16-bit ISA slots
One Mini PCI slot

POST LEDs

Onboard diagnostics for BIOS POST codes

IDE Support

Four IDE devices (two connectors)

Parallel Port

One port SSP, ECP, and EEP mode

Serial Port

Two 16550 compatible RS-232 ports (COM1/2)
Two additional ports COM3/4 from secondary multi I/O

KB/Mouse

Two 6-pin mini DIN connectors (on rear I/O panel)

USB

Four ports (on rear I/O panel) v1.1 and v2.0 compatible

LAN

RJ-45 (on rear I/O panel)

• Secondary Multi I/O

FDD

Up to two floppy drives

Serial

One 16550 compatible RS-232 ports (COM3), one RS-232/422/485 Compatible port (COM4) and one IrDA header

Parallel

Secondary parallel port

GPIO

F75111R provides 20 GPIO.

• Audio

Type: Onboard amplifier with Line-In, Speaker-out and Mic (on rear I/O panel)
Line-In/Out, Speaker-out

• Video

VGA: DB25 connector for analog VGA displays (on rear I/O panel)
LVDS: Onboard header supporting 36-bit LVDS
TV-out: Onboard header for PAL/NTSC TV
TV-out (NTSC, PAL), LVDS 32-bit

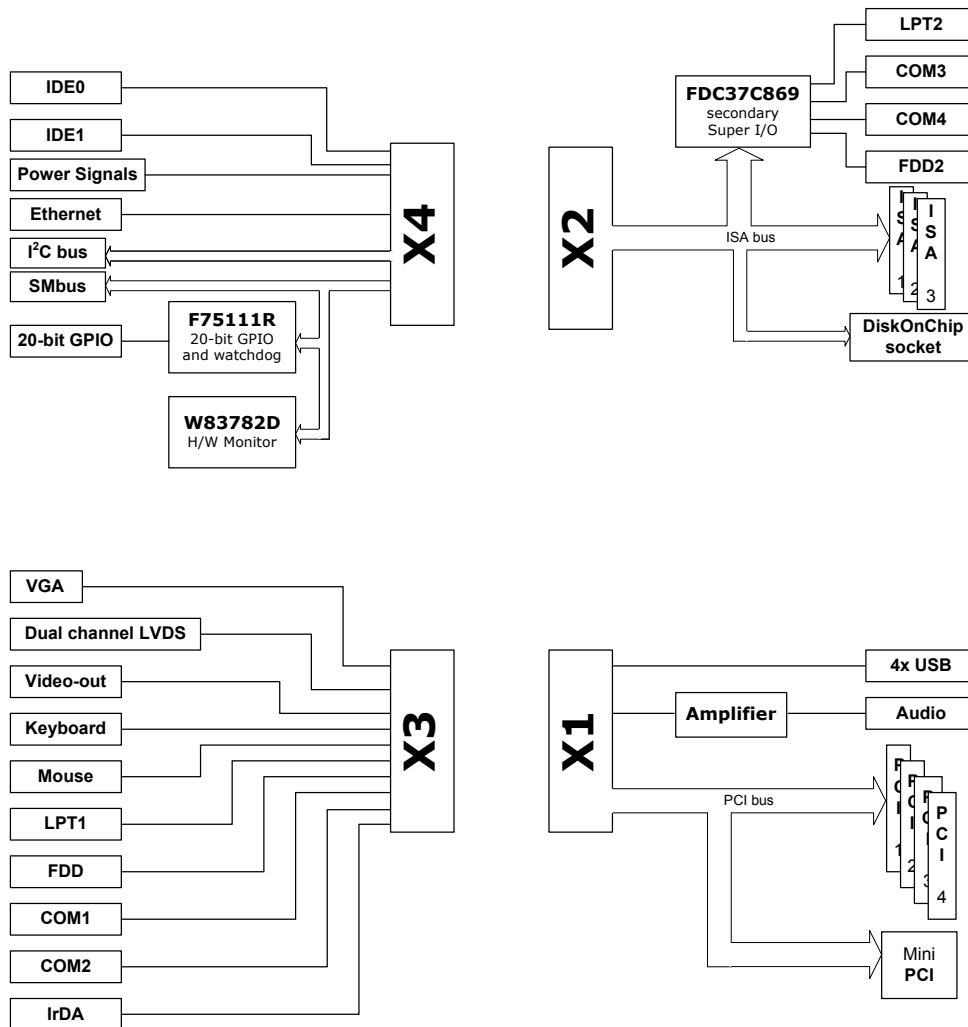
• POST Code Display

LED: 2-digit 7-segment LED display
Function: Displays POST (Power On Self Test) code

• Power and Operation

Connectors: ATX and AT onboard
Switches: Onboard RESET and ATX switch

Functional Diagram



Ordering Information

- ETX-Proto**
 ETX[®] Reference Carrier Board in ATX form factor
 (includes CF socket assembly, UDMA HDD cable, SATA cable,
 FDD cable, TV-out cable)