

NetPortServer Compact Din-Rail RS485 Device Server with Modbus and MQTT Support

NPS5130A / 5130AI

RS485 Serial Device Server

The NPS5130A is an advanced RS485 device server and IoT gateway specifically designed for industrial environments. It integrates multiple functions, including serial device server, Modbus gateway, MQTT gateway, RS485-to-JSON gateway, and virtual COM port device tool. The device features an RS485 interface and an RJ45 Ethernet port, offering reliable connectivity. Its compact design supports Din-rail installation, ensuring ease of deployment, while the terminal power supply allows for a wide power voltage input range of 10~30VDC. The NPS5130A presents a cost-effective and space-efficient solution compared to standard products.



Features & Benefits

Modbus RTU /Ethernet Gateway

- Integrated Serial Port Server (Serial Device Server)
- Modbus RTU Server/ Client
- Modbus RTU to MQTT Gateway
- Cloud JSON data to Modbus RTU
- TCP Server/ Client, UDP, UDP Multicast
- TCP Server
- Auto-Polling Storage Multi Modbus/TCP Client to Single Modbus RTU Server
- Cloud Modbus/TCP to Modbus RTU Client Access

Modbus Gateway

- Modbus RTU protocol to Modbus/TCP
- RTU/Register Auto Polling and Storage
- Allows Multiple points access same serial device
- Scheduling Polling Modbus RTU register

JSON to Modbus RTU

- CSV JSON Table
- Scheduling Polling Modbus RTU register
- Scheduling Publish in JSON format
- Subscribe support request and Setting Modbus Register

Modbus RTU to MQTT

- Publish RTU data in JSON format
- Subscribe JSON to Modbus RTU by HTTP Post, HTTP Get
- NTP support for Network Time Synchronize

Serial Device Server

- TCP/UDP Transmission to virtual serial port
- Support Virtual COM Software tool

Serial Interface

- One RS485 terminal with RS485-A, RS485-B, 2-Wires, up to 32 devices
- Baud Rate Support – 300bps ~115200bps, 5-9bits
- Parity Check – None, Odd, Even, Mark, Space

Industrial Application

- DC 10~30V Power Input, Terminal Connector
- -25~75°C / 5~95% RH Environment Operating Temperature



Interfaces

System LED

- Power
- Link:
(Green- LAN OK)
(Blue- TCP or UDP)
- Active:
(Green- LAN to Serial)
(Blue- Serial to LAN)

Reset

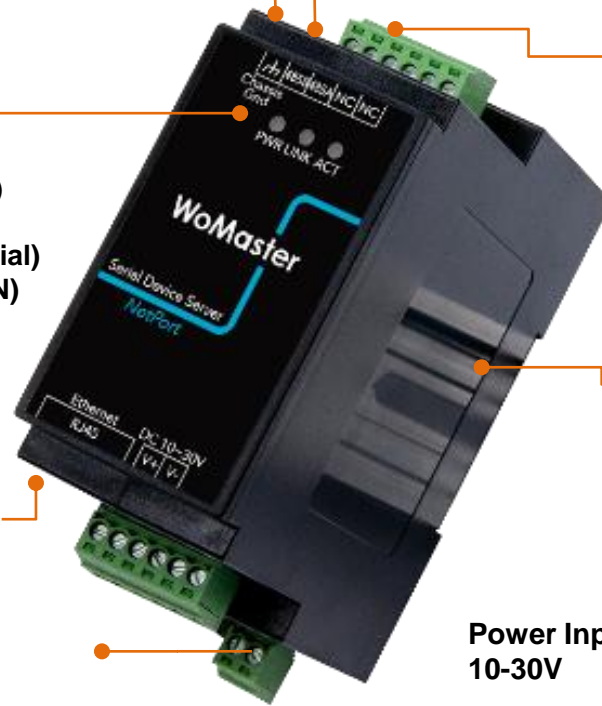
Chassis Ground

RS485A, RS485B

Ethernet RJ-45

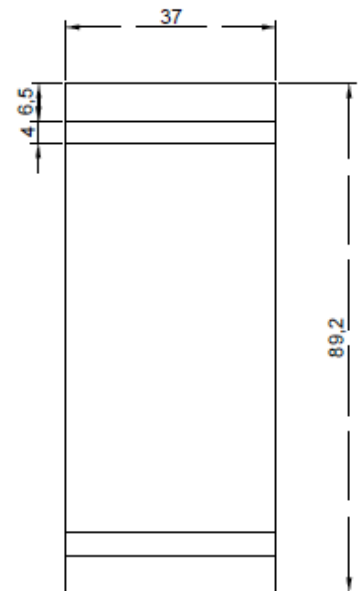
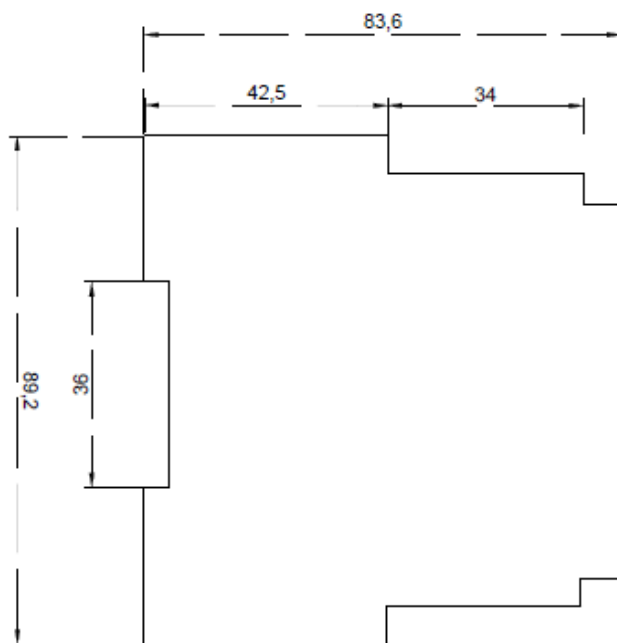
High-temperature
flame-retardant
enclosure

Power Input
10-30V



Dimensions

37 (w) x 89.2 (H) x 83.6 (D) (mm)



✓ Virtual COM Device Discovery and Management

vir.com Virtual Serial & Device Management - VirCom

Manage(M) Config(C) View(V) Help(H)

Start Stop Device Serial About

ID	Status	Com Na...	COM Name	Type	Device IP	Discription	Dev
1	Connected	COM5	Virtual COM	Bind ID	192.168.0.188	Name : DEV0001	A12

Device Settings

Device Info: Virtual Serial: COM5, Dev Type: , Dev Name: DEV0001, Dev ID: 2878A1282BD3, MAC Addr: 04EEE8182BEB, Firmware Ver: V1.523

Function of the device: Web Download, DNS System, REAL_COM Protocol, Modbus TCP To RTU, Serial Commnad, DHCP Support, Storage Extend, Multi-TCP Connection

Network: IP Mode: Static, IP Address: 192.168.0.188, Port: 4196, Work Mode: TCP Server, Net Mask: 255.255.255.0, Gateway: 192.168.0.1, Dest. IP/Domain: 192.168.0.84, Local IP, Dest. Port: 4196, UDP Dynamic

Serial: Baud Rate: 9600, Data Bits: 8, Parity: None, Stop Bits: 1, Flow Control: None

Advanced Settings: DNS Server IP: 8.8.4.4, Dest. Mode: Dynamic, Transfer Protocol: None, Keep Alive Time: 60 (s), Reconnet Time: 12 (s), Http Port: 80, UDP Group IP: 230.90.76.1, Register Pkt., ASCII, Restart If No Data every 300 Sec., Enable Parameter Send every 5 Min.

Information: [2025-01-06, 17:07:54] Connected to 192.168.0.188 ok. [2025-01-06, 17:07:54] Connecting... 192.168.0.188. [2025-01-06, 17:07:54] COM5 Create ok! [2025-01-06, 17:07:54] Listen at port 4196 OK.

✓ Device Setting

Device Settings

Device Info: Virtual Serial: COM5, Dev Type: , Dev Name: DEV0001, Dev ID: 2878A1282BD3, MAC Addr: 04EEE8182BEB, Firmware Ver: V1.523

Function of the device: Web Download, DNS System, REAL_COM Protocol, Modbus TCP To RTU, Serial Commnad, DHCP Support, Storage Extend, Multi-TCP Connection

Network: IP Mode: Static, IP Address: 192.168.0.188, Port: 4196, Work Mode: TCP Server, Net Mask: 255.255.255.0, Gateway: 192.168.0.1, Dest. IP/Domain: 192.168.0.84, Local IP, Dest. Port: 4196, UDP Dynamic

Serial: Baud Rate: 9600, Data Bits: 8, Parity: None, Stop Bits: 1, Flow Control: None

Advanced Settings: DNS Server IP: 8.8.4.4, Dest. Mode: Dynamic, Transfer Protocol: None, Keep Alive Time: 60 (s), Reconnet Time: 12 (s), Http Port: 80, UDP Group IP: 230.90.76.1, Register Pkt., ASCII, Restart If No Data every 300 Sec., Enable Parameter Send every 5 Min.

More Advanced Settings...

Get Default Save As Default Load Default Modify Key Firmware/Config Restart Dev Modify Setting Cancel

✓ Cloud MQTT Configuration

Webpage&code download tool

Direct download mode

Configuration save location: G:\MQTT Config

Special configs: Config file source: Read from local directory

Modbus cfg. **MQTT cfg.** JSON cfg. Reg packet Cmd change HTTP cfg. Param file Clear local dir.

Code file download mode

Select code file: C:\lsn2003.bin

Download through the network: Device IP address or domain: 192.168.0.200, Download port (Don't modify): 1092

Download through serial port: Serial port: COM1, Baud Rate: 115200

Flash size: 256 KB, DevID: 2875FC662A2F, Bind ID

Please close any other configuration window before downloading.

Download

Save Setting

Advanced Settings

DNS Server IP: 8.8.4.4, Dest. Mode: Dynamic, Transfer Protocol: Modbus_TCP Protocol, Keep Alive Time: None, Reconnet Time: REAL_COM Protocol, Http Port: 80, UDP Group IP: 230.90.76.1, Register Pkt., ASCII, Restart If No Data every 300 Sec., Enable Parameter Send every 5 Min.

More Advanced Settings...

Multi Modbus Host

Modbus Multi-Host Support Settings

Modbus Gateway Type: Auto query storage type

Modbus RTU or ASCII: Auto query storage type

Enable RS485 Multi-Host: Multi-host non-storage type, Device Client & Slave mode, Simple Modbus TCP to RTU, Pre-configurable Modbus GW, Maximum wait time of RTU: 196 ms(0-8191)

Enable RS485 bus conflict detection: Send data only when RS485 bus is idle for 20 ms

✓ Web Configuration

SpisovConfig 192.168.0.200

Logout

Device Information: Device Name: DEV0001, Device MAC: 04EEE8182BEB, Firmware Version: V1.523

Serial Settings: Baudrate: 9600, Data Bits: 8, Parity: None, Stop Bits: 1, Flow Control: None

Multi-Master Settings: Protocol: None, Response Timeout: 0 (0-60000ms), Multi-Master: Disabled, Transfer Delay: 20 (0-255ms)

Network Settings: IP Addressing: Static, IP Address: 192.168.0.200, Local Port: 4196, Mode: TCP Server, Subnet Mask: 255.255.255.0, Gateway: 192.168.0.1, Destination IP/DNS: 192.168.0.84, Destination Port: 4196, Web Port: 80

Advanced Settings: Watchdog Reset: Disable, Watchdog Reset Time: 300 (0-1270), Reconnet Time: 12 (1-255)

Modify Web Password: New Password: , Confirm Password:

Submit

NOTE: When the multi-master is disabled, the response timeout will always be 0. The timeout must be a multiple of 32.

Network Interface	
Ethernet	IEEE 802.3 Ethernet 10Base-T with Auto MDI/MDI-X 2KV Surge Protection
Serial Interface	
Connector	Screw Terminal Connector, 2-wire RS-485-A / -B Max 32 x RS-485 Nodes, Max 1200 Meter Distance, 120 Ohm Terminal Resistor for > 300Meters
Isolation (NPS5130AI)	3KV Power, 2.5KV RS485/422, 15KV ESD
Serial Parameters	Baud Rate: 300~115200bps, Data Bit: 5~9 Parity Check: None, Odd, Even, Space, Mark Flow Control: None Flow Control
Service Mode	
Virtual COM Driver	Windows XP / Windows 7 / Windows 10/ Windows 11
TCP	TCP Server for up to 30 TCP clients, or TCP client to up to 7 destination IP
UDP / UDP Multicasting	UDP Polling & Response by UDP packet between stations UDP Multicast to all station by UDP packet
Modbus	Modbus RTU to Modbus TCP Modbus TCP to Modbus RTU
Cloud	MQTT, JSON to Modbus RTU, HTTP Post, HPPT Get
Network Feature	
Protocol	Ethernet, IP, TCP, UDP, HTTP, ARP, ICMP, DHCP, DNS, Modbus
Security	TCP with authentication key
DHCP	DHCP Client for IP and DNS information from DHCP server
NTP	Network Time Precision (NTP)
Management	
System Management	Windows Utility, Virtual COM, WEB Management
Windows DLL Library	Device management function library (Windows DLL dynamic link library) by VC, VB, Delphi, or C++ Builder with functions such as <i>read</i> and <i>write</i> .
Power Input & Interface Connector	
Power Input	10~30VDC Input, Terminal Block
Mechanical & Installation	
Installation	Din-Rail
Enclosure	Durable, flame-retardant enclosure that withstands up to 100°C without deformation and self-extinguishes when removed from a fire source
IP Protection	IP40
Dimension	87x36x59mm (LxWxH)
Environmental	
Operation Temperature	-25°C~70°C, 0% ~ 90%, Non-Condensing
Storage Temperature	-40°C~80°C, 0% ~ 90%, Non-Condensing
Reliability & Warranty	
MTBF	> 200,000 Hours
Warranty	3 Year


Ordering Information

Model	Description
NPS5130A	Lite Industrial RS485 Device Server, Modbus, MQTT Gateway, 10~30Vdc
NPS5130AI	Lite Industrial RS485 Isolation Device Server, Modbus, MQTT Gateway, 10~30Vdc