

MXE-230 Series

Ultra-Compact, Fanless, Low-Power Edge Computing Platform powered by Intel® Processor N Series or Atom® Processor X Series

Features

- Ultra-compact size at 165 x 120 x 62 mm (1.2L)
- 6-12W low-power Intel® CPU
- DDR5 4800MHz memory up to 16GB
- Operates between -20°C to 60°C
- Two independent 4K 60fps display outputs
- Multiple I/O expansion options, including M.2 and adaptive function module
- Built-in TPM 2.0
- Seamlessly integrated with the Hailo-8 AI accelerator boasting 26 TOPS
- Support In-Band ECC



Ordering Information

PN	Model Name	CPU	Memory	Storage	DP	HDMI	LAN	COM	SATA	M.2	USB2.0	USB3.0	DIO
93-41055-00xx	MXE-231/M8G	N97	DDR5 4800 MHz 8G	x	1	1	2	2	1	B,E,M	3	1	x
93-41055-10xx	MXE-231/M8G/4COM/8DIO	N97	DDR5 4800 MHz 8G	x	1	1	2	4	1	B,E,M	3	1	8
93-41055-1Axx	MXE-231/M8G/6COM/8DIO	N97	DDR5 4800 MHz 8G	x	1	1	2	6	1	B,E,M	3	1	8
93-41055-31xx	MXE-231/M16G/256G	N97	DDR5 4800 MHz 16G	M.2 256G	1	1	2	2	1	B, E	3	1	x
93-41055-30xx	MXE-231/M16G/256G/Win10	N97	DDR5 4800 MHz 16G	M.2 256G	1	1	2	2	1	B, E	3	1	x
TBD	MXE-231/M8G/8USB	N97	DDR5 4800 MHz 8G	x	1	1	2	2	1	B,E,M	7	1	x

Packing Lists

PN	Description	QTY
34-35010-1000-A0	Wall mount BRACKET	2

Optional Accessories

PN	Description
34-33430-0000-B0	DIN RAIL MOUNTING BRACKET
31-62163-1000-A0	120W, Adapter, 12V/10A, DC Jack
30-00001-0030	USA Power Cord
34-90280-2000-A0	Pull Lock DIN RAIL Bracket
91-95381-000E	Hailo-8™ AI Accelerator M.2 Module

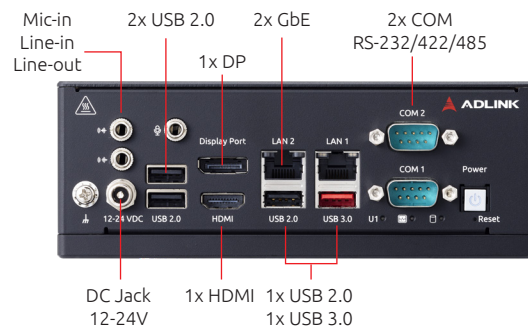
Embedded OS

PN	Description
92-56094-4010	Windows 10 IoT Ent LTSC 2021 Entry PKEA

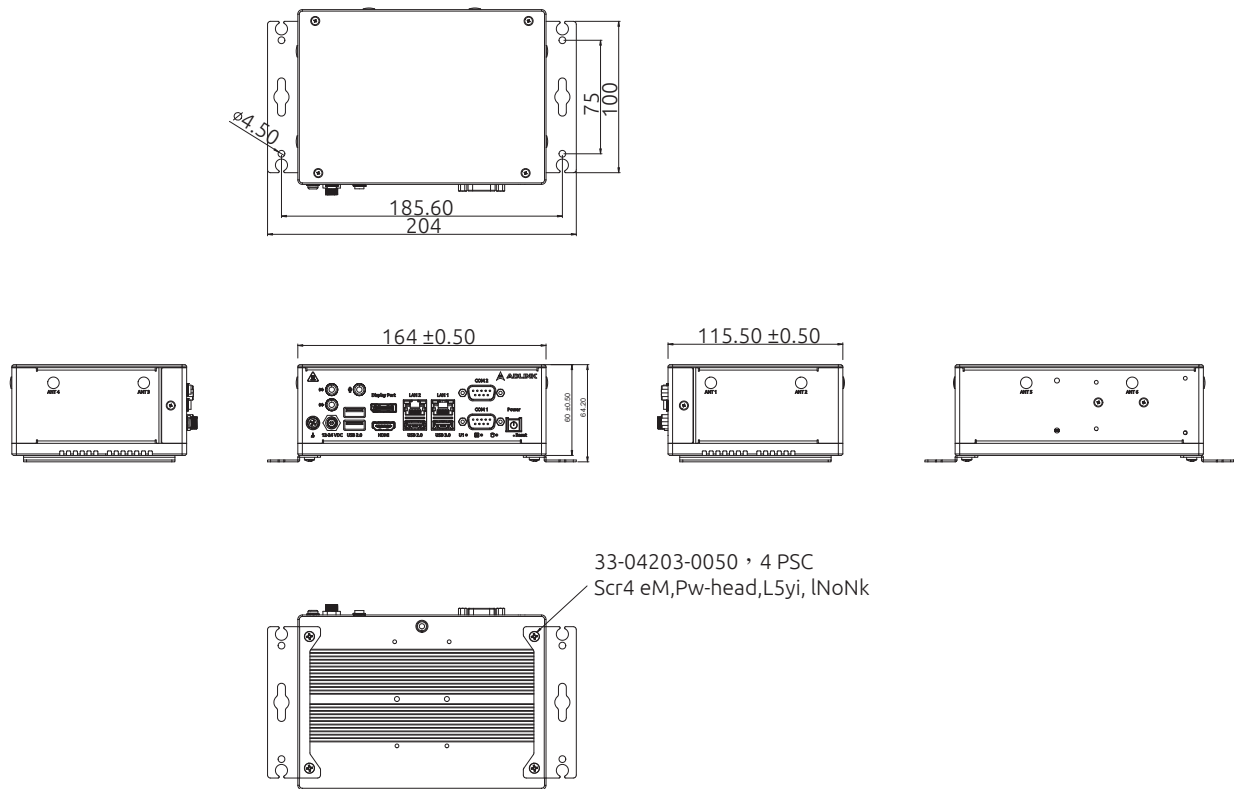
Specifications

Model	MXE-230
Processor System	
CPU	N97, 4-cores, 3.6GHz, 12W (Support IBCEC)
Memory	1x DDR5 SO-DIMMs, up to 4800MHz
Operating Systems	Windows 10 IoT Enterprise LTSC 21H2 (64-bit) Ubuntu 22.04
Display	
HDMI	1 (HDMI 2.0, 4096 x 2160 @ 60Hz)
DisplayPort	1 (DP1.4, 4096 x 2160 @ 60Hz)
Ethernet	
Gbe Port	2
Controller/ Frequency	2x Intel® i210IT, support 1Gbps/ 100Mbps / 10Mbps
I/O Interfaces	
USB	1x USB 3.2 Gen 2x1 ports (10Gbps) (Type-A) 3x USB 2.0 (Type-A)
COM	2x RS-232/422/485 DB9 Connector
Serial ATA	1x SATA 6Gb/s ports w/ 5V SATA power
Audio	Realtek ALC888S 1x line-in, 1x line-out, MIC-in through 40pin box header
Expansion Slots	M.2 2280 M Key (PCIex2) M.2 2230 E Key with (Wi-Fi(PCIex1), BT(USB2.0)) M.2 3042 B-key (USB3.0/2.0) w/ SIM card
TPM	Yes (TPM 2.0)
Mechanical and Environment	
Dimension	165 x 120 x 62 mm (6.49" x 4.72" x 2.44" inch)
Power Supply	12V-24V DC Jack connector
Operating Temperature	-20°C to 60°C
Storage Temperature	-40°C to 85°C
EMC	
	CE & FCC Class B
Safety	
	CB, UL/cUL

I/O View



Product Dimensions and Illustration



CPU Support List

Family	Number	CPU Core	Frequency	Processor Base Power
Intel® Processor N Series	N50	2 Cores	1 GHz	6 W
	N97	4 Cores	2 GHz	12 W
	N200	4 Cores	1 GHz	6 W
COMING SOON Intel Atom® Processor X Series	X7433RE	4 Cores	3.4 GHz	9 W