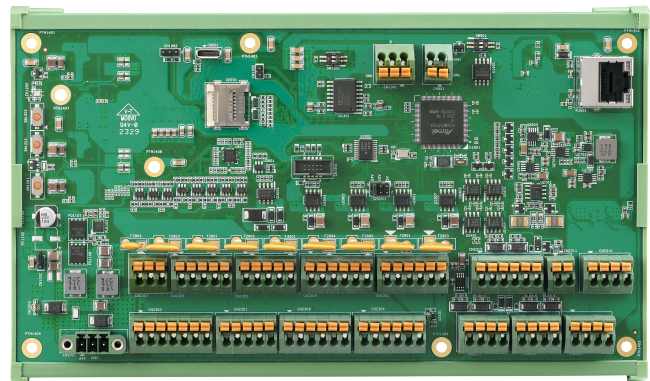


# I-Pi-OT2IT

Preliminary

Intelligent Analog & Digital Interface Modular Control Box with Arduino Compatibility



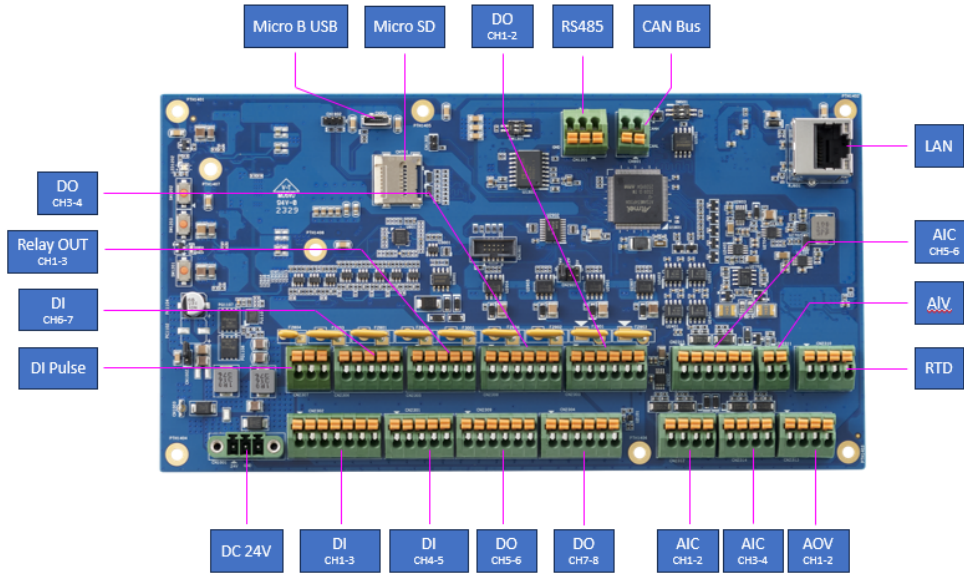
## Features

- Easily controlled by Computer-on-Modules via software over Ethernet/LAN
- Sensor hub for managing various OT equipment
- Leveraging Arduino ecosystem for accelerated development and time-to-market
- 200 mm x 107 mm x 22 mm
- 8x Digital inputs, 11x Digital outputs
- 9x Analog inputs, 2x Analog outputs
- SAM E54 micro controller with Arm Cortex-M4 processor

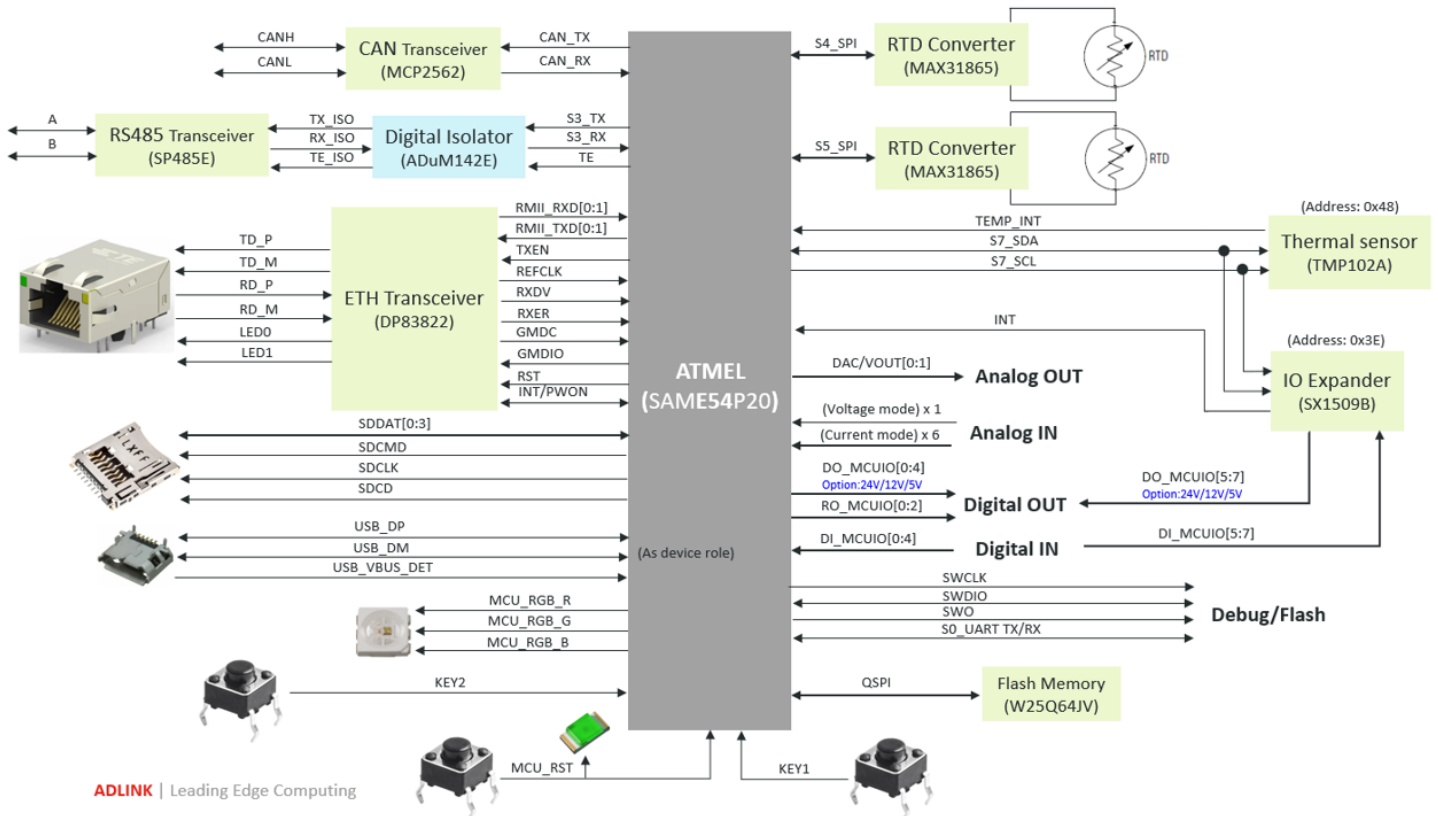
## Specifications

I/O	SDIO	1x micro SD
	UART/Serial	1x RS-485
	USB 2.0	1x USB 2.0 (micro USB type-B)
Network	Ethernet	10/100 Ethernet RJ-45 with transformer
Digital I/O	Input	7x Digital inputs 1x Digital input, pulse 500µs (33ms period)
	Output	11x Digital outputs
Analog I/O	Input	2x Analog inputs, PT1000 2 wires 4x Analog Input, passive sensor 2x Analog inputs, active sensor 1x Analog input, 0-10V
	Output	2x Analog outputs, 0-10V
Other	Buttons	Reset, Interrupt, Other control
Mechanical	Dimensions	200 mm x 107 mm x 22 mm

## Overview



## Block diagram



ADLINK | Leading Edge Computing