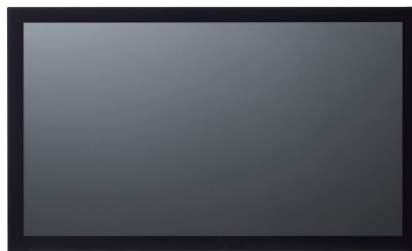


OM Series

Open-Frame Industrial Touch Monitor



Features

- 7"/12.1"/15"/17"/19" (Fullscreen) LCD panel with LED backlight with up to 50,000 hour service life
- 10.1"/15.6"/18.5"/21.5"/23.8"/27"/32"/43" (Widescreen) LCD panel with LED backlight with up to 50,000 hour service life
- 10-point PCAP touchscreen
- Anti-fingerprint surface treatment for ease of cleaning and enhanced readability
- Wide viewing angles support for both portrait and landscape modes
- IP rating for water and dust protection
- Easy for deployment (support wall/panel/VESA mount)

Ordering Information

- OM-070, P/N:93-P6000-0010
- OM-101, P/N:93-P6000-2010
- OM-121, P/N:93-P6000-5010
- OM-150, P/N:93-P6000-D010
- OM-156, P/N:93-P6000-6010
- OM-170, P/N:93-P6000-E000
- OM-185, P/N:93-P6000-8010
- OM-190, P/N:93-P6000-F00E
- OM-215, P/N:93-P6000-B010
- OM-215H, P/N:93-P6000-B100
- OM-238, P/N:93-P6000-G010
- OM-270, P/N:93-P6000-H010
- OM-320, P/N:93-P6000-J00E
- OM-430, P/N:93-P6000-K00E
- OM-320SHV, P/N:93-P6000-J20E

Optional Accessories

- Adapter
12V 60W power adapter, P/N:31-62156-1010-A0
- Mounting kit (panel mount), P/N:33-50003-0000-A0

Clips Requirement

Model	Panel Mount Clips Qty.
OM-070	8
OM-101	8
OM-121	12
OM-156	14
OM-150	14
OM-170	14
OM-185	16
OM-190	14
OM-215	17
OM-238	20
OM-270	20

Specifications (Fullscreen Models)

Model	OM-070	OM-121	OM-150	OM-170	OM-190
Display					
Size	7"	12.1"	15"	17"	19"
Resolution (Max.)	800 x 480	1024 x 768 (XGA)		1280 x 1024	
Aspect Ratio	5:3	4:3	4:3	5:4	5:4
Color	16.7M				
Brightness (Nits)	400 nits			300 nits	
Backlight Life (Hrs)	50,000				
Viewing Angle (U/D/R/L)	89/89/89/89	80/80/70/70	80/80/70/80	80/80/85/85	
Contrast Ratio	1300:1	700:1	800:1	1000:1	
Touchscreen	10-point, PCAP, Anti-fingerprint coating				
Bonding	Air Bonding				
I/O					
USB Port	USB type B (for touch)				
Video	HDMI x1, VGAX1				
Audio	w/o Audio				
Environmental					
Operating Temperature	-20°C to 70°C		-0°C to 60°C	0°C to 50°C	-20°C to 70°C
Storage Temperature	-20°C to 70°C		-10°C to 60°C	-20°C to 60°C	-20°C to 70°C
Humidity	10% to 80% @ 40°C (non-condensing)				
Surface Hardness	7H				
Vibration	Operating: 1G random 5 to 500Hz				
Shock	Operating: 20G acceleration part to part, 11ms				
IP Rating	Front IP65				
Certifications & Compliance	CE/FCC				
Power Input	DC-12V 5A Max.				
Power Consumption	3.7W	7.4W	8.1W	16W	
Mechanical					
Net Weight/ Gross Weight	0.9 kg/ 1.4 kg	2.02 kg/ 2.52 kg	2.8 kg/ 3.3 kg	3.5 kg/ 4.0 kg	4.2 kg/4.7 kg
Dimension (H x W x D mm)	375 x 180 x 243	415 x 180 x 383	465 x 180 x 418	555 x 180 x 508	
Mounting	Panel mount only	VESA Mount (MIS-D 75mm x 75mm, 100mm x 100mm) Panel, and Wall mount			

Specifications (Widescreen Models)

Model	OM-101	OM-156	OM-185	OM-215	OM-238	OM-270
Display						
Size	10.1"	15.6"	18.5"	21.5"	23.8"	27"
Resolution (Max.)	1280 x 800	1920 x 1080				
Aspect Ratio	16:10	16:9				
Color	16.7M					
Brightness (w/ touch)	400 nits	300 nits	400 nits	200 nits	240 nits	
Backlight Life (Hrs)	50,000			30,000		40,000
Viewing Angle (U/D/R/L)	89/89/89/89				85/85/85/85	
Contrast Ratio	800:1	1000:1			3000:1	
Touchscreen	10-point, PCAP, Anti-fingerprint coating					
Bonding	Air bonding					
I/O						
USB Port	USB type B (for touch)					
Video	HDMI x1, VGA x1					
Audio	w/o Audio					
Environmental						
Operating Temperature	-20°C to 70°C	0°C to 70°C	-20°C to 60°C	0°C to 50°C		
Storage Temperature	-20°C to 70°C			-20°C to 60°C		
Humidity	10% to 80% @ 40°C (non-condensing)					
Surface Hardness	7H					
Vibration	Operating: 1G random 5 to 500Hz					
Shock	Operating: 20G acceleration part to part, 11ms					
IP Rating	Front IP65					
Certifications & Compliance	CE/FCC					
Power Input	DC-12V 5A Max.					
Power Consumption	5.7 W	13.9 W	20 W	25.4 W	17.5 W	21.5 W
Mechanical						
Net Weight/ Gross Weight	1.6 kg /2.1 kg	2.9 kg/3.6 kg	4.2 kg /5.2 kg	4.8 kg /6.0 kg	6.2kg /7.5kg	7.5kg /8.0kg
Packing Dimensions (H x W x D mm)	330 x 320 x 180	490 x 380 x 190	430 x 610 x 160	640 x 480 x 160	695 x 488 x 175	775 x 538 x 180
Mounting	VESA Mount (MIS-D 75mm x 75mm,100mm x 100mm) Panel, and Wall mount					

Specifications (Widescreen Models with High Brightness)

Model	OM-215H
Display	
Size	21.5"
Resolution (Max.)	1920 x 1080
Aspect Ratio	16:9
Color	16.7M
Brightness (w/ touch)	1200 nits
Backlight Life (Hrs)	50,000
Viewing Angle (U/D/R/L)	89/89/89/89
Contrast Ratio	3000:1
Touchscreen	10-point, PCAP, Anti-fingerprint coating
Bonding	Air bonding
I/O	
USB Port	USB type B (for touch)
Video	HDMI x1, VGA x1
Audio	w/o Audio
Environmental	
Operating Temperature	-20°C to 70°C
Storage Temperature	-20°C to 70°C
Humidity	10% to 80% @ 40°C (non-condensing)
Surface Hardness	7H
Vibration	Operating: 1G random 5 to 500Hz
Shock	Operating: 20G acceleration part to part, 11ms
IP Rating	Front IP65
Certifications & Compliance	CE/FCC
Power Input	DC-12V 5A Max.
Power Consumption	41.2 W
Mechanical	
Net Weight/ Gross Weight	5.1 kg /6.3 kg
Packing Dimensions (H x W x D mm)	640 x 480 x 160
Mounting	VESA Mount (MIS-D 75mm x 75mm, 100mm x 100mm) Panel, and Wall mount

Specifications (Widescreen Models 24V)



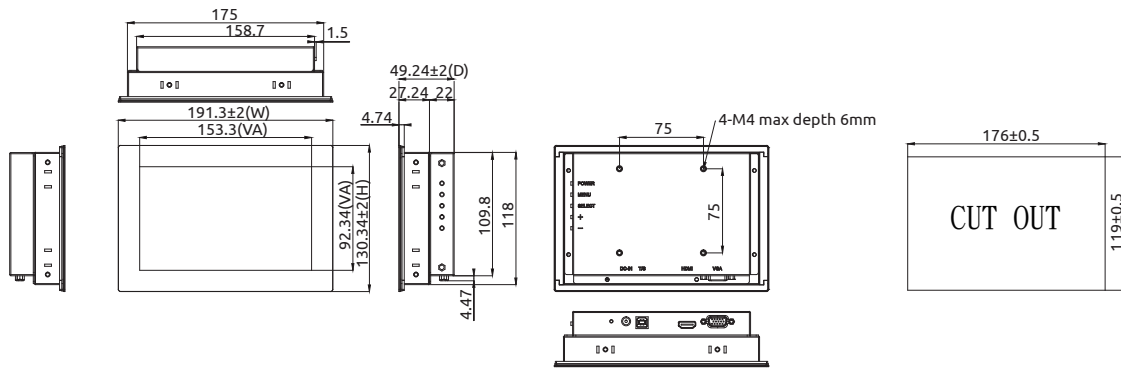
Model	OM-320	OM-430
Display		
Size	32"	43"
Resolution (Max.)	1920 x 1080	
Aspect Ratio	16:9	
Color	16.7M	
Brightness (w/ touch)	400 nits	
Backlight Life (Hrs)	50,000	
Viewing Angle (U/D/R/L)	89/89/89/89	
Contrast Ratio	4000:1	
Touchscreen	10-point, PCAP, Anti-fingerprint coating	
Bonding	Air bonding	
I/O		
USB Port	USB type B (for touch)	
Video	HDMI x1, VGA x1, DVI x1, DP 1.2 x1	
Audio	w/o Audio	
Environmental		
Operating Temperature	0°C to 40°C	
Storage Temperature	-20°C to 60°C	
Humidity	10% to 90% (non-condensing)	
Surface Hardness	≥6H	
Vibration	Operating: 1.5G random 10 to 200Hz	
Shock	NA	
IP Rating	Front IP65	
Certifications & Compliance	CE/FCC	
Power Input	DC-24V 5A Max.	
Power Consumption	38.4 W	50.4 W
Mechanical		
Net Weight/ Gross Weight	14.2kg	23.5kg
Packing Dimensions (H x W x D mm)	630 x 920 x 160	800 x 1200 x 220
Mounting	VESA Mount 200 x 200 mm (M6), M4 Rear mount x 12	VESA Mount 200 x 200 mm (M6), M4 Rear mount x 8

Specifications (Widescreen Models with High Brightness & 24V)

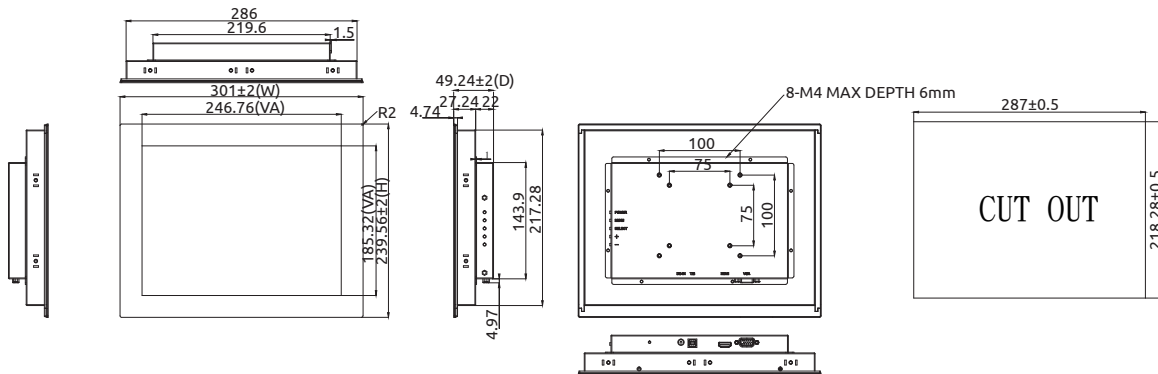
Model	OM-320SHV
Display	
Size	32"
Resolution (Max.)	1920 x 1080
Aspect Ratio	16:9
Color	16.7M
Brightness (w/ touch)	800 nits (w/i touch)
Backlight Life (Hrs)	50,000
Viewing Angle (U/D/R/L)	89/89/89/89
Contrast Ratio	1200:1
Touchscreen	10-point, PCAP, Anti-fingerprint coating
Bonding	Air bonding
I/O	
USB Port	USB type B (for touch)
Video	HDMI x1, VGA x1, DVI x1, DP 1.2 x1
Audio	w/o Audio
Environmental	
Operating Temperature	-10°C to 60°C
Storage Temperature	-20°C to 70°C
Humidity	10% to 80% (non-condensing)
Surface Hardness	3H
Vibration	Operating: 1G random 5 to 500Hz
Shock	Operating: 20G acceleration part to part, 11ms
IP Rating	Front IP65
Certifications & Compliance	CE/FCC
Power Input	DC-24V 5A Max.
Power Consumption	40.1 W
Mechanical	
Net Weight/ Gross Weight	TBD
Packing Dimensions (H x W x D mm)	TBD
Mounting	200mm x 200mm (M6) M4 Rear mount x 12

Dimensions (Fullscreen Models)

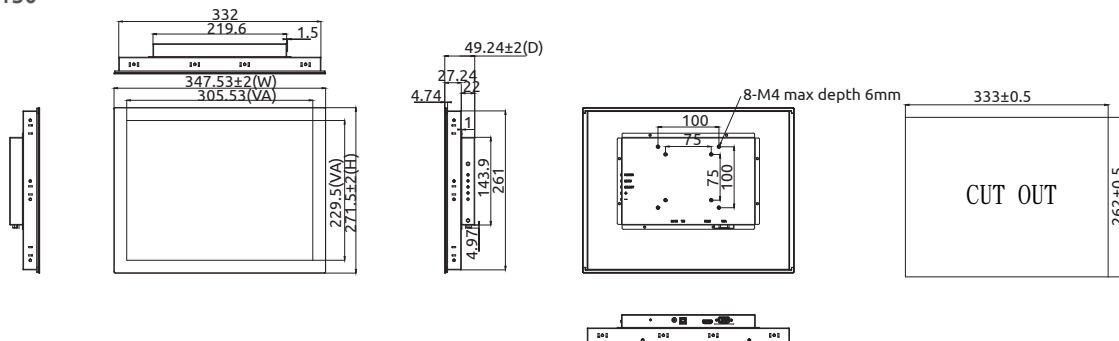
OM-070



OM-121

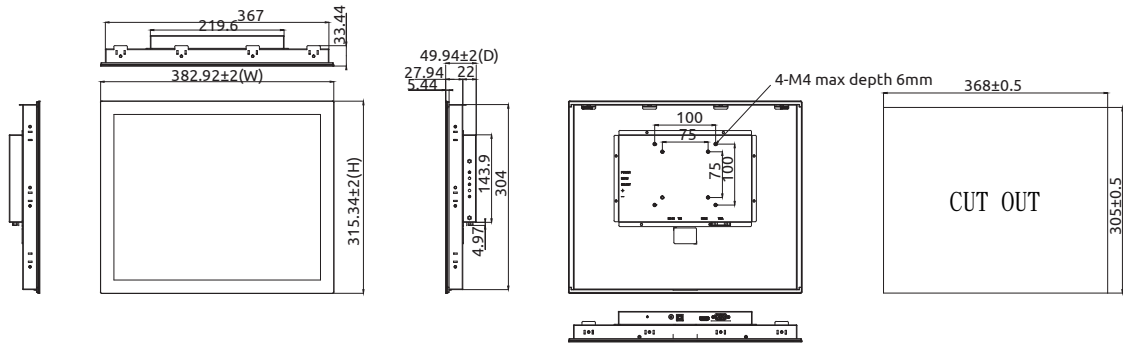


OM-150

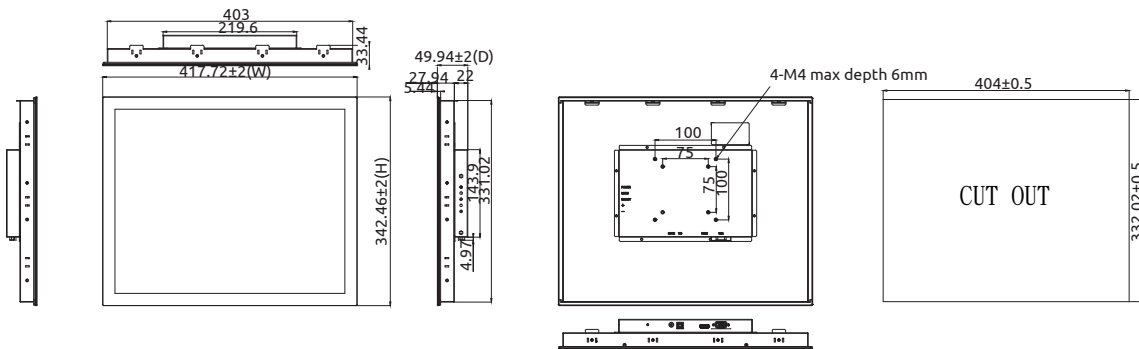


Dimensions (Fullscreen Models)

OM-170

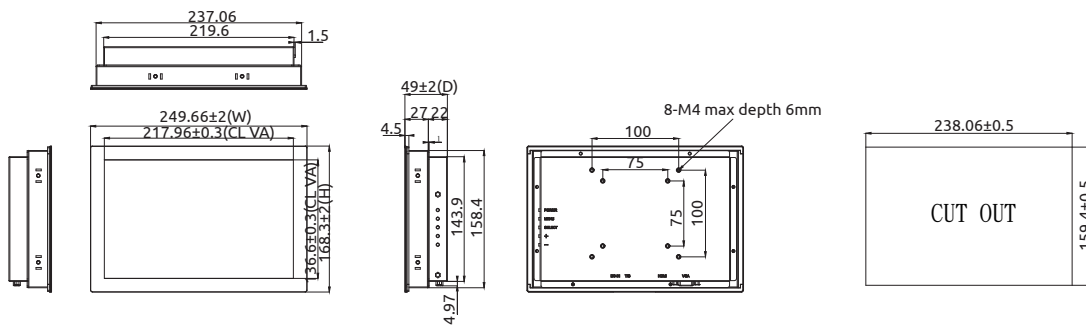


OM-190

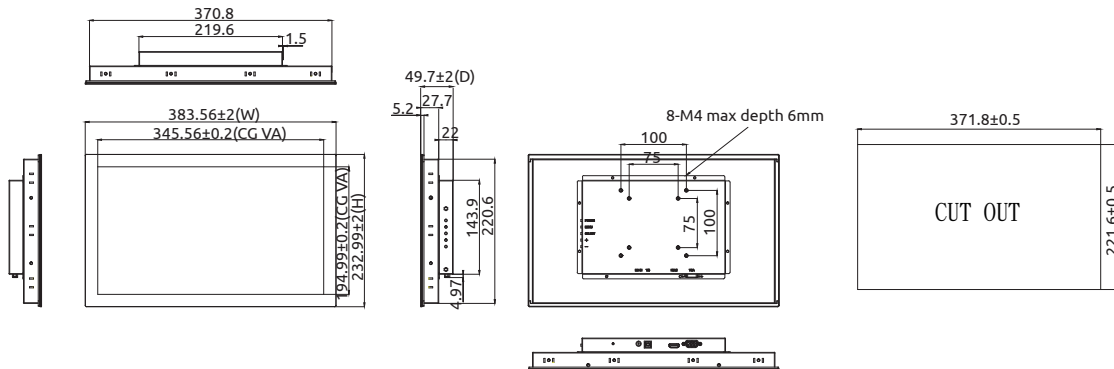


Specifications (Widescreen Models)

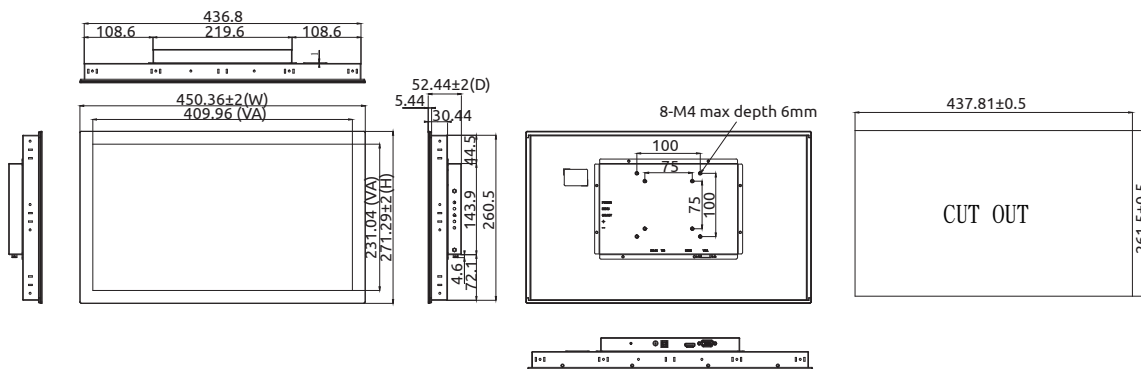
OM-101



OM-156

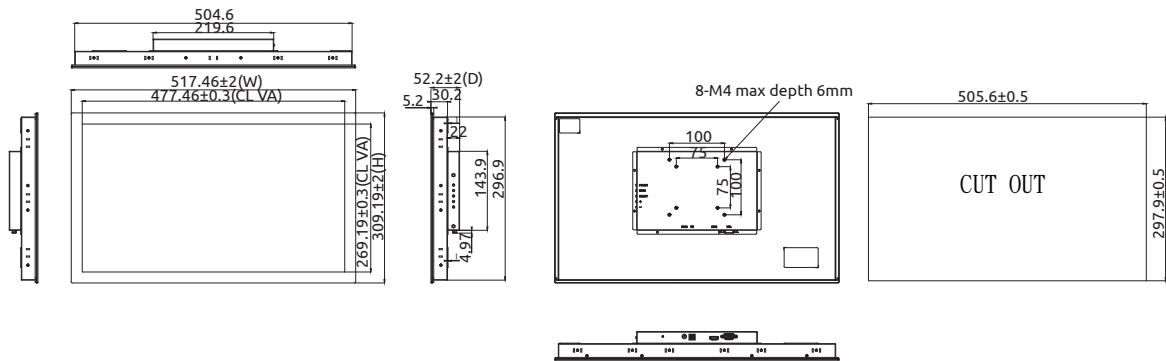


OM-185

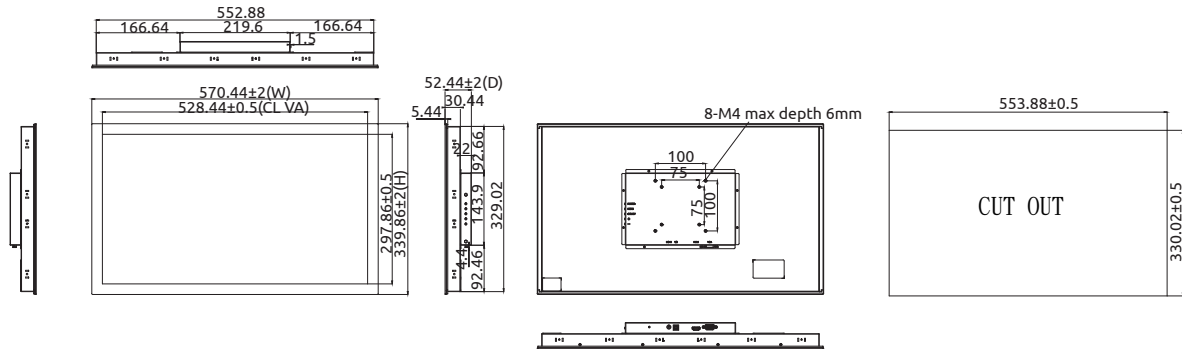


Specifications (Widescreen Models)

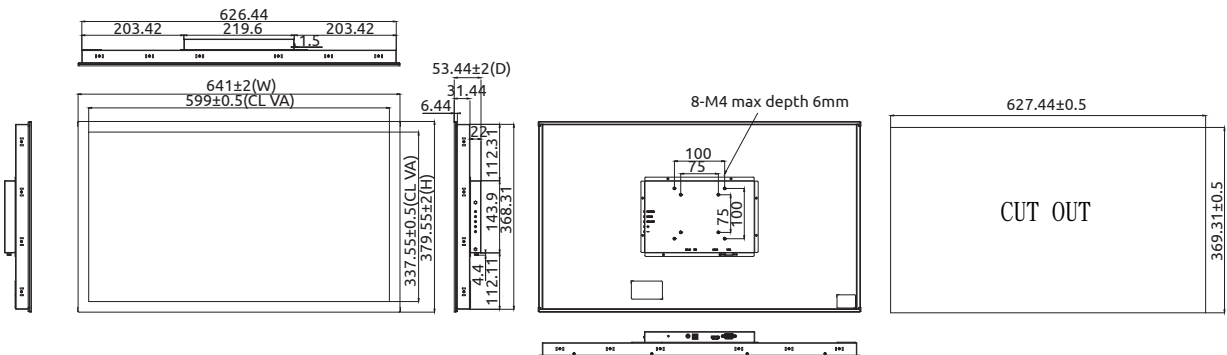
OM-215



OM-238

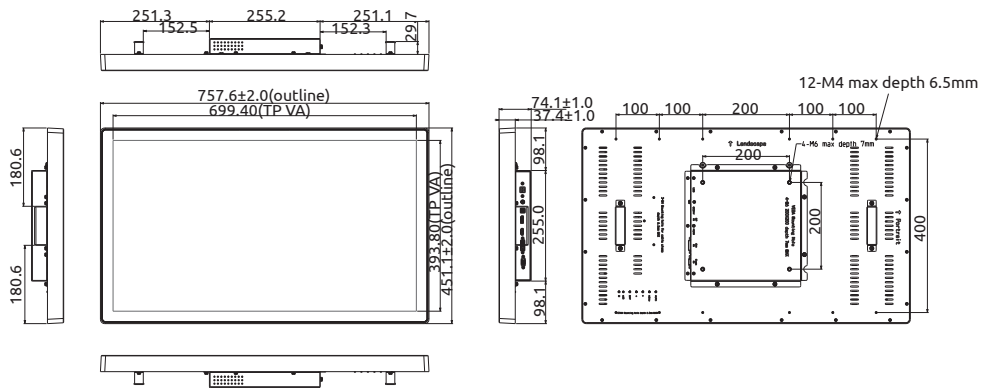


OM-270

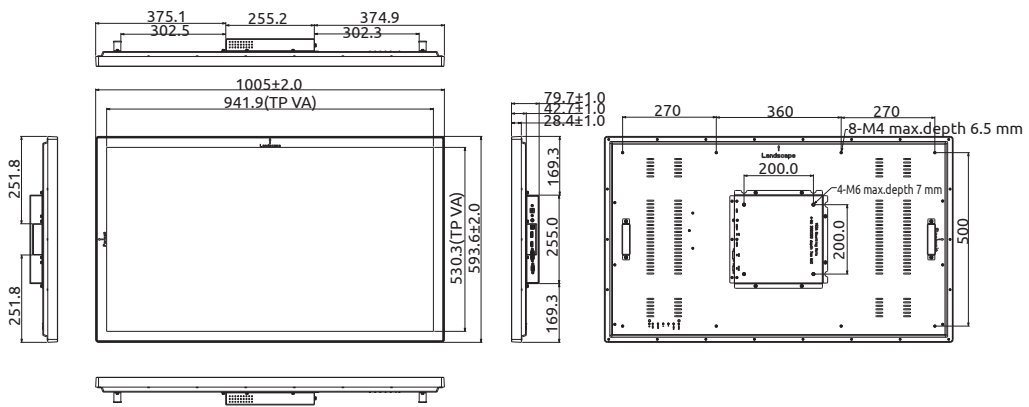


Specifications (Widescreen Models)

OM-320



OM-430



Specifications (Widescreen Models with High Brightness & 24V)

OM-320HV

